

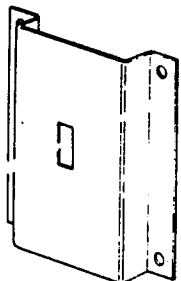
**INSTRUCTIONS FOR
KIT PART NO. 3152396
KIT PART NO. 6202324
FREE VEND KEY SWITCH AND ACCESSORY ASSEMBLY**

CHECK THE PARTS RECEIVED IN THE KIT WITH THE PARTS LIST IN THESE INSTRUCTIONS. FIGURE 1 SHOWS ALL THE PARTS IN THE KIT. IF ANY PARTS ARE MISSING, CONTACT NATIONAL VENDORS' PARTS DEPARTMENT IMMEDIATELY.

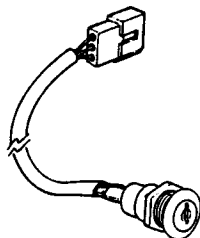
Read these instructions carefully and completely before installing the kit. Retain these instructions for part numbers and for future reference.

These kits contain the following:

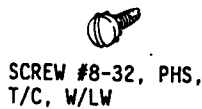
Part Number	Description	Quantity
COMMON PARTS		
3152393	Channel Backup Cover	1
3152394	Jumper-Free Vend	1
9989435	Switch Assembly-Free Vend	1
4047095	Screw #8-32 x 5/16 PHS T/C W/Lockwasher	1
1211161	1/4" Cable Clamp	2
3152395	Installation Instructions	1
KIT 3152396		
3152497	IC Assy. - Eprom - Program U2	1
3152498	IC Assy. - Eprom - Program U3	1
KIT 6202324		
6202323	IC Assy. - Eprom - Program U2	1
6202325	IC Assy. - Eprom - Program U3	1



BACK-UP CHANNEL COVER



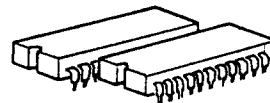
FREE VEND SWITCH ASSEMBLY



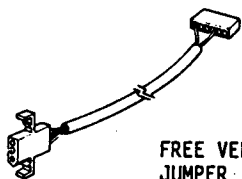
SCREW #8-32, PHS, T/C, W/LW



1/4" CABLE CLAMP



EPROM U2 & U3



FREE VEND JUMPER



KEYS (Part of Switch Assembly)

CRANE

DRILLING HOLE IN CABINET DOOR

1. Cut the template provided in the kit along the lines indicated.
2. Position the template as shown in Figure 2. Use tape to hold template in place during the drilling operation.
3. Drill hole in door, corresponding with indicated hole dimension on template.

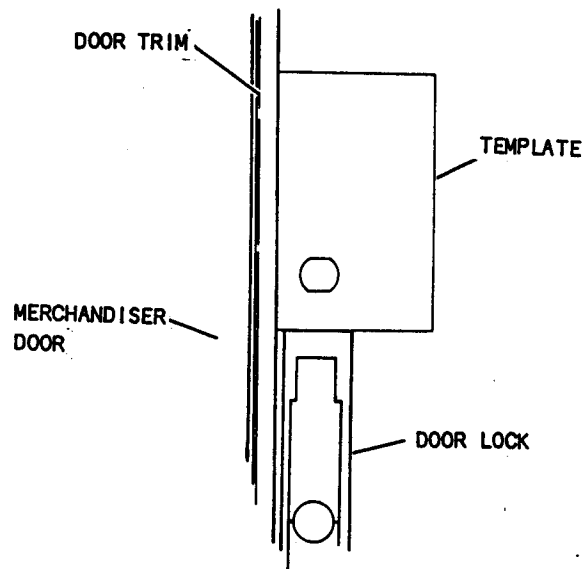


FIGURE 2

MOUNTING THE KEY SWITCH IN THE CABINET DOOR

1. Remove nut from key switch.
2. Push harness and key switch through door from outside.
3. Replace nut and tighten securely. See Figure 3.

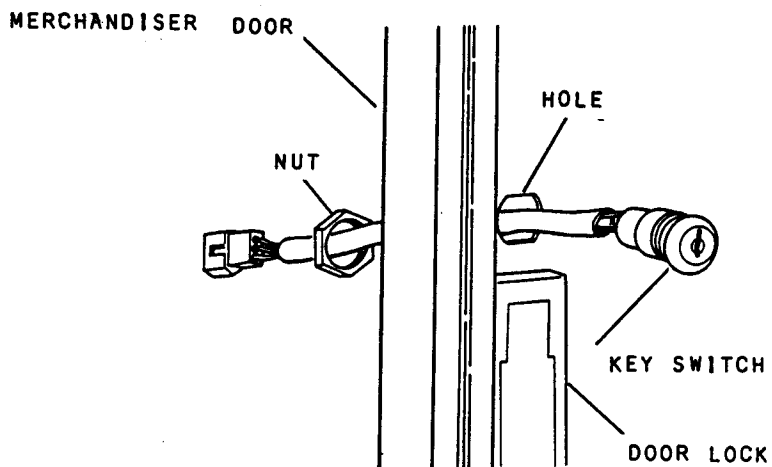


FIGURE 3

CONNECTING THE KEY SWITCH TO THE CONTROLLER PC BOARD

1. Remove the Door Controller Cover.
2. Remove backup cover, retain existing screws.
3. Snap end of harness into backup cover provided in kit, as shown in Figure 4.
4. Plug other end of harness into Door Controller PC Board as indicated in Figure 4.

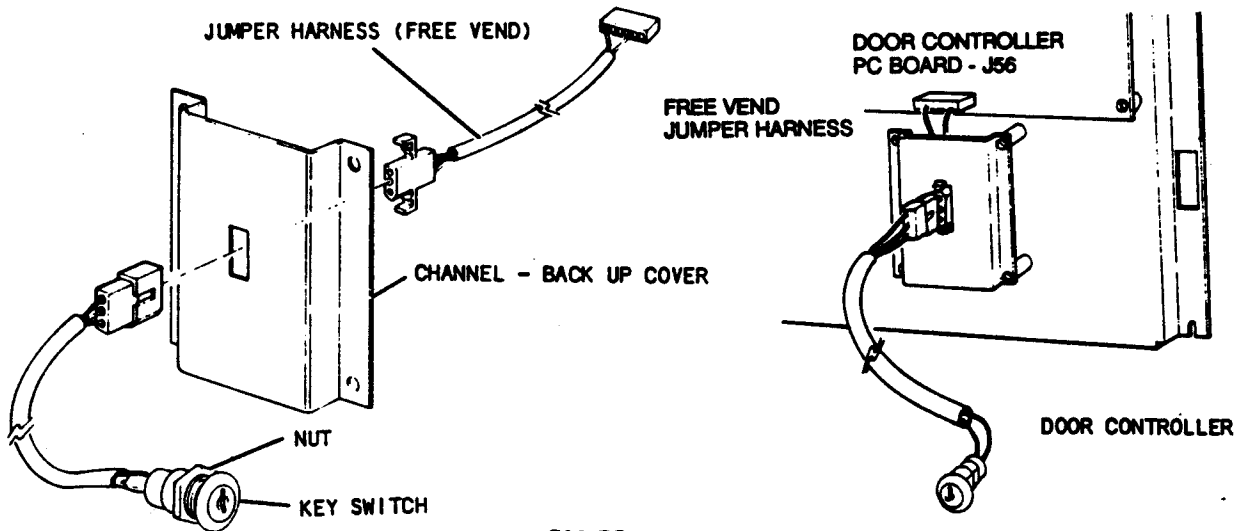


FIGURE 4

5. Plug harness from keyswitch into harness from Controller PC Board.

REPLACING THE DOOR CONTROLLER EPROMS

**OBSERVE PROPER ELECTRO-STATIC DISCHARGE
PRACTICES WHEN HANDLING THE EPROMS.
FAILURE TO DO SO MAY RESULT IN DAMAGE
TO THE EPROMS.**

1. Carefully remove Eeproms U2 and U3. See Figure 5.
2. Replace the two Eeproms with the two provided in kit.

3. Use the two cable clamps to secure the Key Switch Harness to the cabinet door.

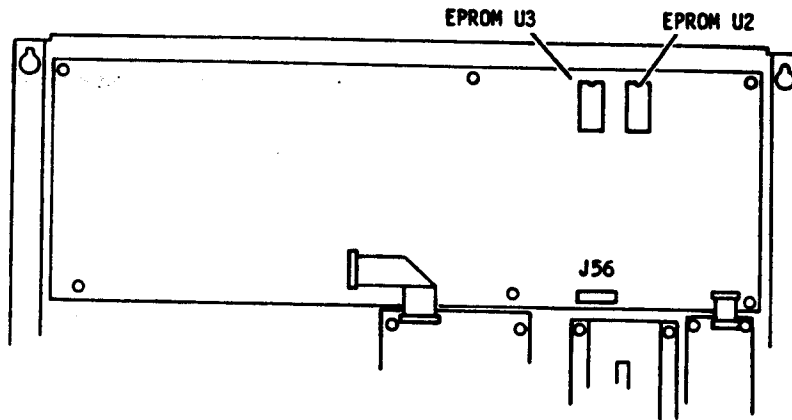
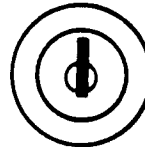


FIGURE 5

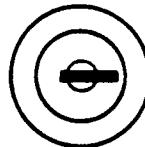
4. Replace Door Controller Cover and return merchandiser to service.

USING THE FREE VEND KEY SWITCH

1. As long as the Key Switch is connected to J56 on the Door Controller PC Board, you cannot enter the *FREE VEND* mode by using the Function Switch Panel.
2. *NORMAL VENDING* will occur when the key slot is in the vertical position.



3. *FREE VENDING* will occur when the key slot is in the horizontal position.



TEMPLATE FOR LOCATING KEY SWITCH MOUNTING HOLE

